

19" Economic SV Network Wall Mounting Cabinets



Product Model: 6U

Width: 520 mm
Depth: 400 mm

Load Capacity: 30 kgs.

**3 Different U Heights: 04U, 06U, 9U
for D: 400mm**

Standards and Compliances:



ISO 9001:2015
Quality Management System



CE conform to
EN 61000-3-2
Information Technology
Equipment, Safety,

EN IEC 61000-4-11 Audio/Video, Information
and Communication Technology Equipment
Part 1: Safety requirements

Standard:
Comply with ANSI/EIARS-310-D、IEC297-2、
DIN41494;PART1;DIN41494;PART7

Material:
SPCC Cold Rolled Steel;
19"rails:1.0mm,others:0.6mm
Loading capacity:Static loading:30KG



Standard Colors:

RAL 7035 Light Grey

RAL 9005 Black

6U Heights
D400 mm
Packing Box

Network SV Series Wall Mounting Networking cabinets, with 19" w:520 mm and d:400 mm physical size. We can customize according to customers specifications.

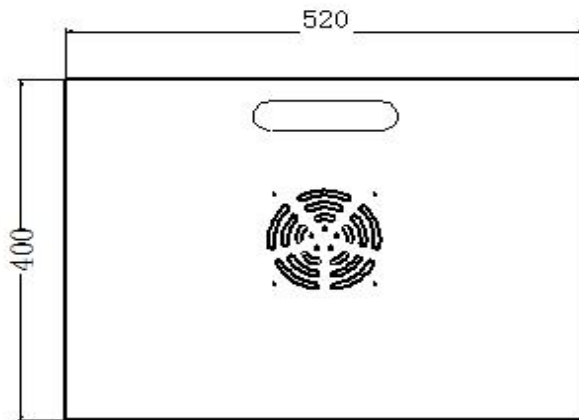
All 19" SV Wall cabinets are being delivered as a single piece flat pack enclosure, with standard factory settings.

19" Economic SV Network Wall Mounting Cabinets

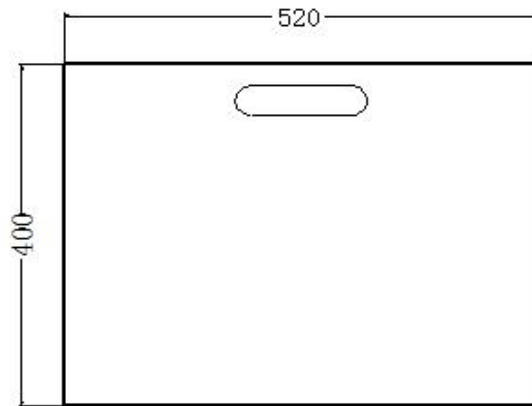
Construction Drawing

Width: 520 mm
Depth: 400 mm

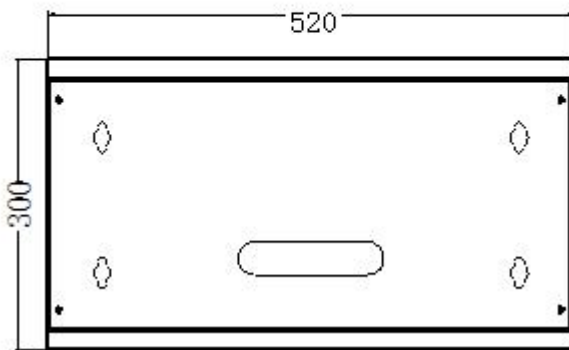
TOP



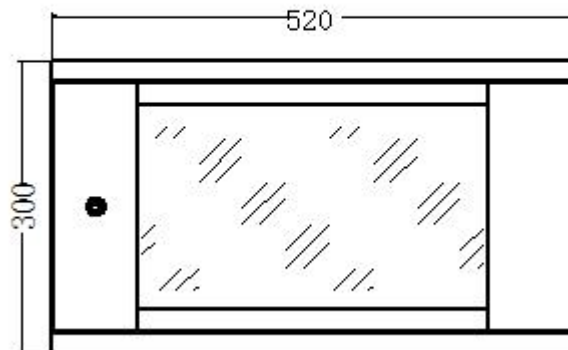
BOTTOM



BACK



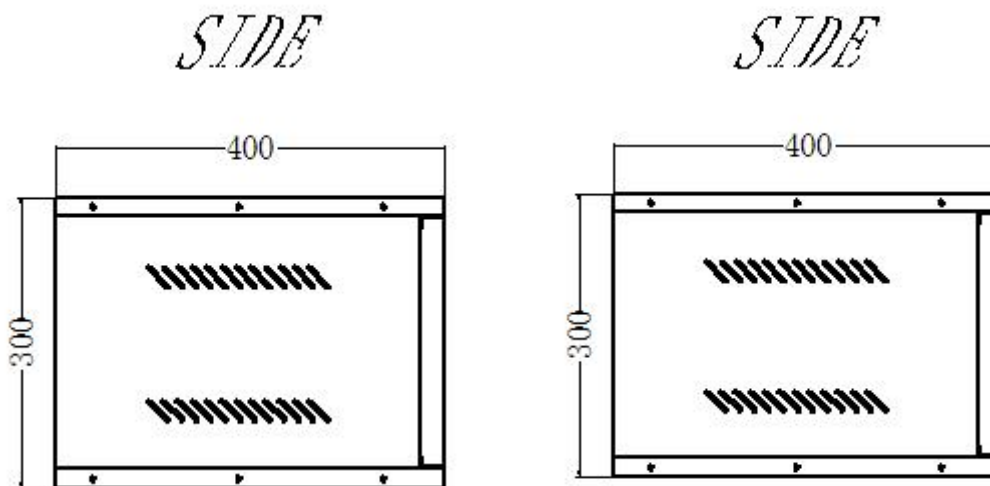
FRONT



19" Economic SV Network Wall Mounting Cabinets

Width: 520 mm
Depth: 400 mm

Construction Drawing



Product Description	Size WxHxDmm	h Size in U	Width Overall mm	Width Rail to Rear Door	Depth Overall mm	QTY IN PACKAGE	PACKING DIMENSIONS WxHxD mm	Standard NET Weight of Product kgs	Gross Weight of Product kgs
6U 19"Wall Mounting Cabinet W=520mm D=400 mm	520x300x400	6U	520	19"	400	1	565x85x460	5.5	6

